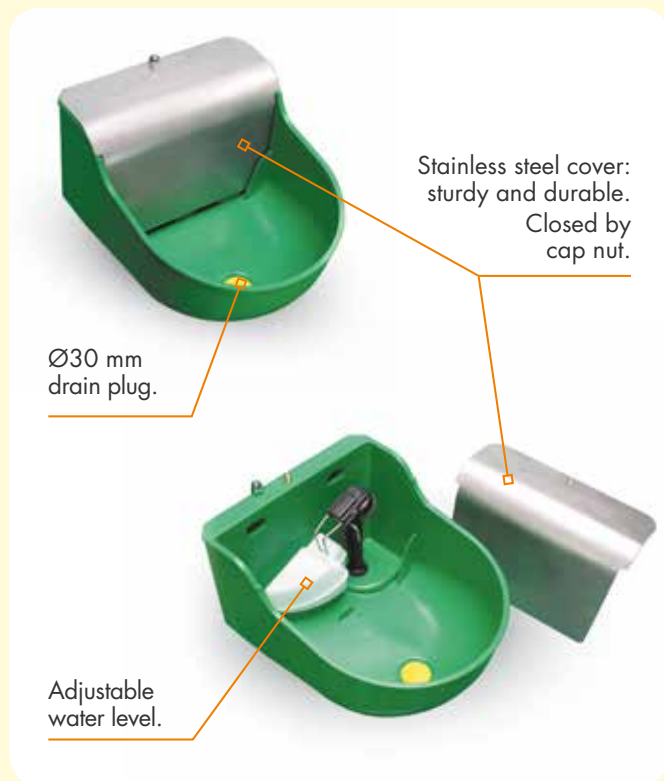




LAC 10

STAINLESS STEEL COVER

Combination of synthetic material and stainless steel.



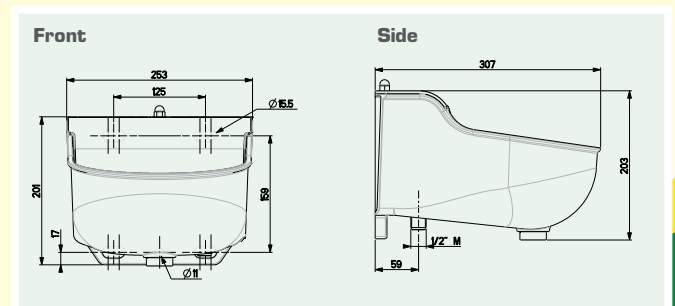
Strength and reliability

- ▶ Bowl made of new synthetic material, more rigid and as strong as ever.
- ▶ More sturdy and durable stainless steel cover guarantees increased reliability.
- ▶ Multiple uses: the LAC10 is especially suited for calves, sheep and horses (not recommended for goats).

Easy to clean rounded shapes

- ▶ Valve allowing easy water level adjustment.
- ▶ Flow rate of 8 l/min at 3 bars.
- ▶ Quick cleaning without the use of tools through Ø 30 mm drain plug.

Dimensions



Ref. 3259 LAC 10 - 6 per carton / EAN 13 3599150048224

Ref. 3279 LAC 10 - carton apiece / EAN 13 3599150048217



Visit our website: www.labuvette.com

Rue Maurice Périn • P. A. Ardennes Émeraude • CS 50749 Tournes • F-08013 CHARLEVILLE-MÉZIÈRES Cedex

Tel.: +33 324 52 37 23 • Fax: +33 (0)3 24 52 37 24 • Email: commercial@labuvette.com